

The KM 932MB Barrier Lifter is a mechanical grapple for fast and convenient handling of concrete barriers and blocks.

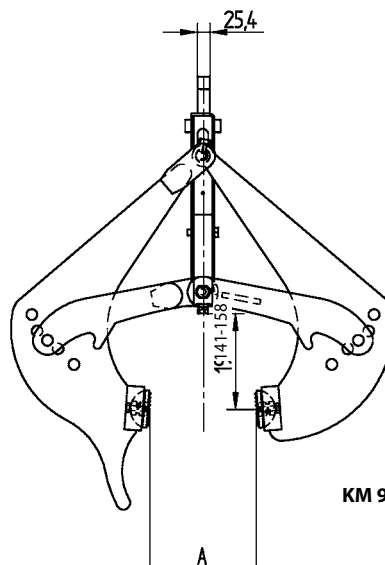
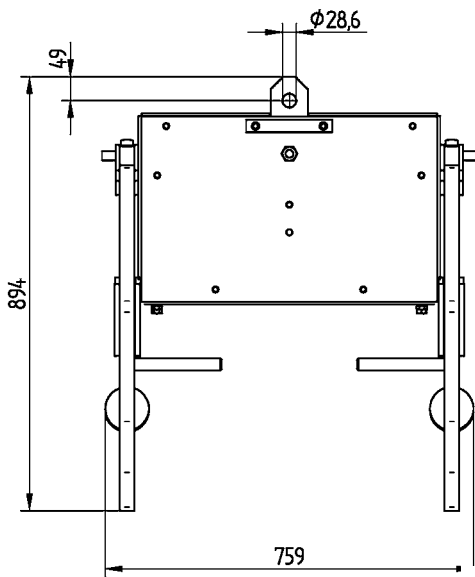
- **Safe:** Carbide gripping pads ensure safe operation, even on wet or coated surfaces.
- **Efficient:** The fully integrated, mechanically operated "latch & release" system allows the unit to function independently, without assistance from a ground man.
- **Versatile:** Multi-position arms are a standard feature. This means one unit can achieve different gripping ranges by simply changing a pin position.
- **Cost-effective:** The elimination of slings and chains means more cycles can be achieved per hour.
- **Fast:** The "latch & release" system functions automatically each time the load line is slackened.



## Barrier Lifter KM 932MB

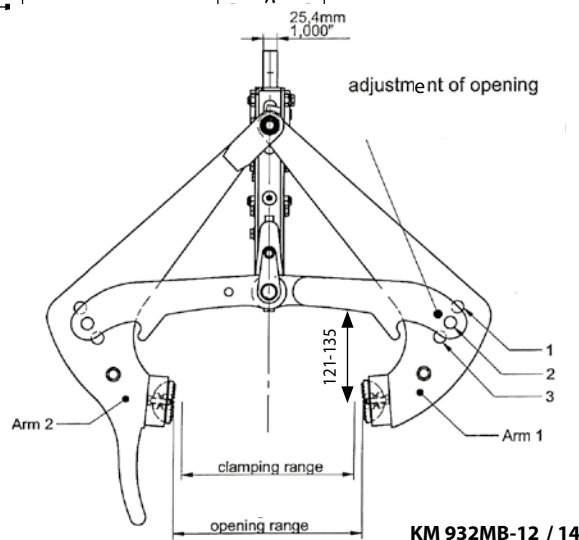
| Type           | Gripping A<br>(min./max.)<br>(mm) | Self weight<br>(kg) | Load capacity<br>(kg) |
|----------------|-----------------------------------|---------------------|-----------------------|
| KM 932MB-6/10  | 100 – 300                         | 180                 | 6580                  |
| KM 932MB-12/14 | 285 – 400                         | 165                 | 6580                  |

## Technical Drawings



KM 932MB-6 / 10

KM 932MB



KM 932MB-12 / 14