

Demolition and sorting grabs

S0223	S1102
S0303	S1402
S0453	S1702
S0603	S2002
S0753	S2301
S0803	S3002
	S6002

DEMOLITION AND SORTING GRABS

The **Demolition and Sorting Grabs (S)** are adaptable for work with excavators from 2,5 to 90 tons.

Ideally reliable and versatile tools, the Arden Equipment sorting and demolition grabs can be used to **easily pick, demolish, sort, load and recycle all your materials.**

In their standard versions, they are all fitted with a **360° rotation with crown + 1 or 2 motors.**

The rotation motors are protected against temporary excess pressure or excess flow, the motor does not require an additional drainage line.

The models from the S223 to the S1103 are fitted with a single cylinder, whereas the higher category models, from the S1402 to the S3002 have 2 cylinders and S6002 have 3 cylinders.

These cylinders are protected inside the frame.

The S0753, S0803, S1102, S2002 and S2301 model cylinders have **end of stroke shock absorbers.**

SECURITY

PERFORMANCE

VERSATILITY

ADAPTED DEVICE

ROBUST CONSTRUCTION

FEATURES :

- Available for excavators from 2,5 to 90 tonnes.
- Versatility (recycling, demolition)
- Disponibles with free rotation or without rotation
- Solid structure
- Several sets of shells available, customizable on request
- Drilling template on the top of the rotation to quickly fix all types of adapter plate

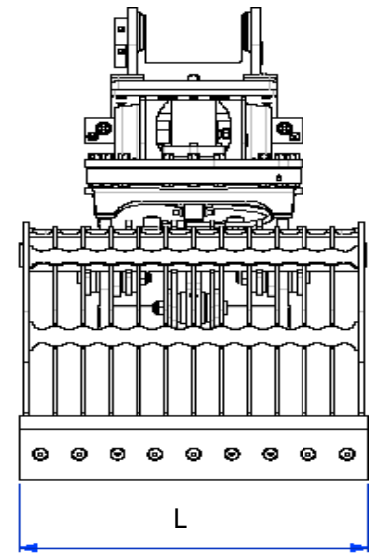
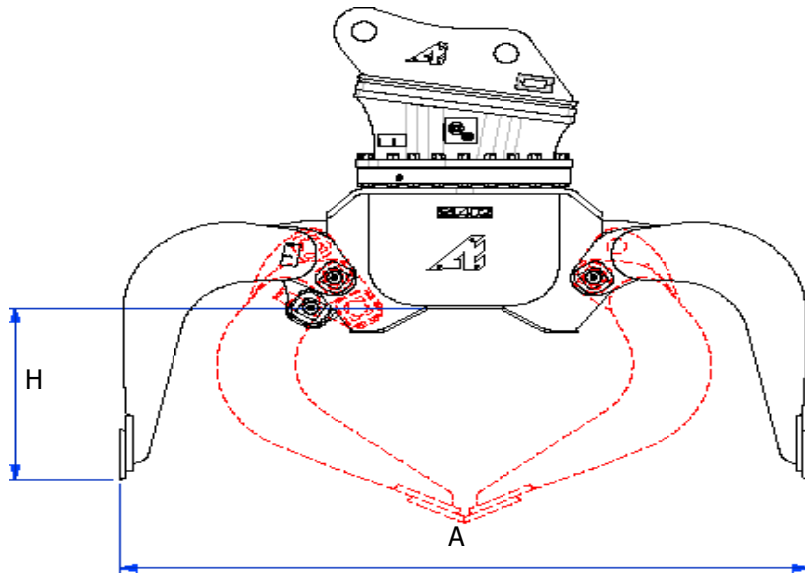
OPTIONS (depending on the model)

ARDEN JET : Integrated water spraying system
Safety valves
Rubber between the blade and the counter blade
Added sides



TECHNICALS DIAGRAMS

The Demolition and Sorting Grabs (S)



TECHNICALS CHARACTERISTICS

The Demolition and Sorting Grabs (S)

Dimensions & Weight

Carrier Weight	Reference	L Grab set width	H Height under the frame with the grab open	A Grab opening measurement	Tool Weight ¹	Volume
<i>t</i>	<i>Ref.</i>	<i>mm</i>	<i>mm</i>	<i>mm</i>	<i>kg</i>	<i>Litres</i>
2.5 - 4.5	S0223	400	350	1090	200	78
4 - 6	S0303	460	395	1180	268	106
6 - 8	S0453	550	440	1290	370	146
7 - 10	S0603	650	500	1490	540	250
10 - 13	S0753**	800	540	1710	695	395
11 - 15	S0803**	800	540	1710	745	395
15 - 18	S1102	900	580	1840	930	470
18 - 21	S1402	1010	616	2000	1220	700
22 - 27	S1702	1120	625	2100	1500	820
25 - 32	S2002	1140	695	2200	1770	950
28 - 37	S2301	1210	674	2270	2100	1080
38 - 60	S3002	1450	620	2400	2850	1270
60 - 90	S6002	1600	900	3120	5600	2200

¹ without plate
**with set of shells with articulation protection seal

S1402 - option Arden Jet

